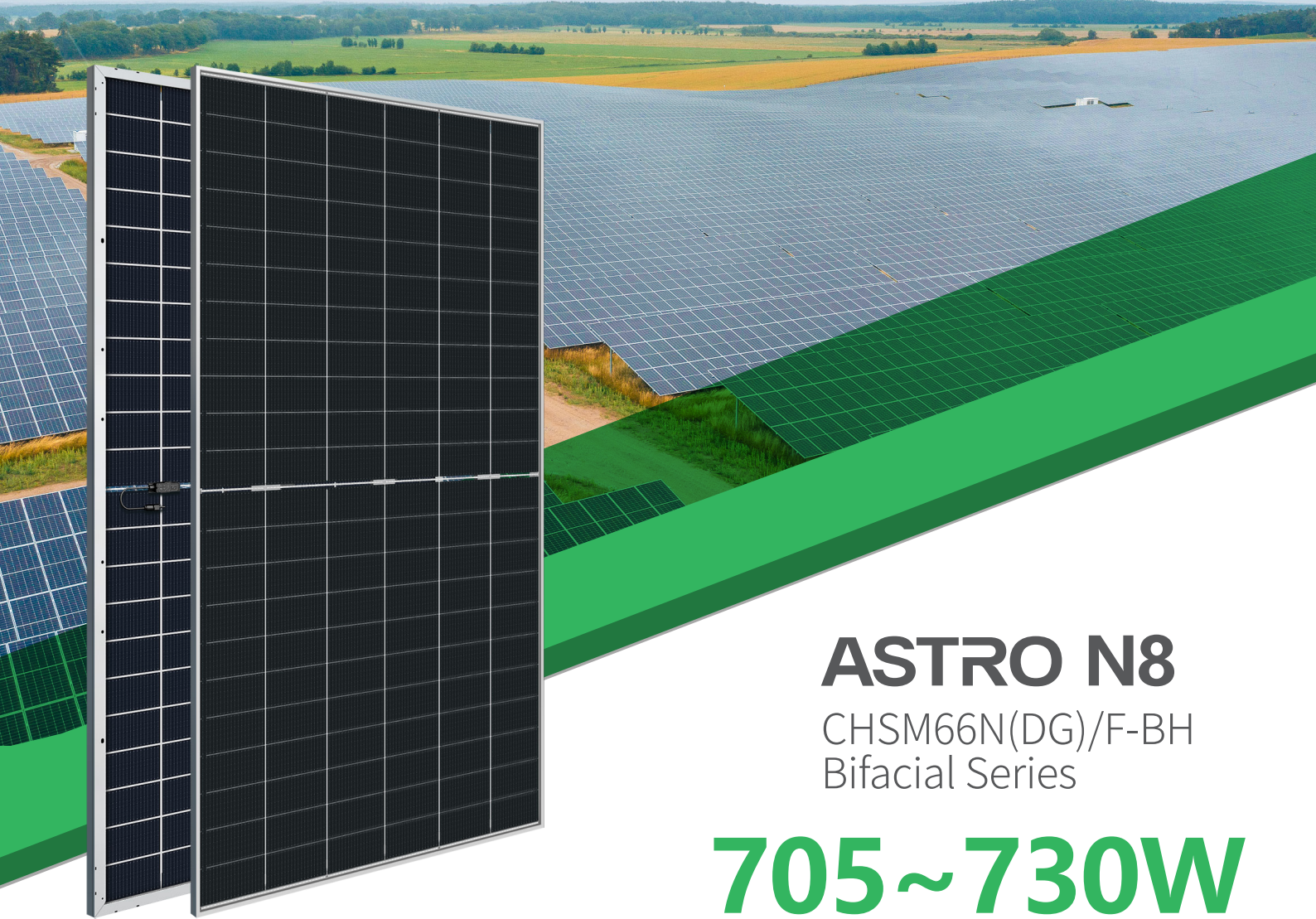




ASTRONERGY



# ASTRO N8

CHSM66N(DG)/F-BH  
Bifacial Series

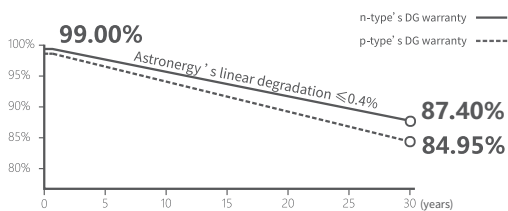
# 705~730W



## Warranty

**15** 15-year Product Warranty

**30** 30-year Linear Power Warranty



### n-type TOPCon 4.0

Novel upgrade, enhancing module efficiency



### Low Voc Design

Increasing per string power, lower BOS cost and LCOE



### Bifacial Power Generation

Maximizing bifaciality, boosting backside power output



### Multi-scenario Applications

Compatible with mainstream application scenarios



IEC 61215, IEC 61730  
ISO 9001:2015:ISO Quality Management System  
ISO 14001:2015:ISO Environment Management System  
ISO 45001:Occupational Health and Safety  
The first solar company which passed the Nord IEC/TS 62941 certification audit



Tier 1  
BloombergNEF



**705~730W**

POWER RANGE

**0~+3%**

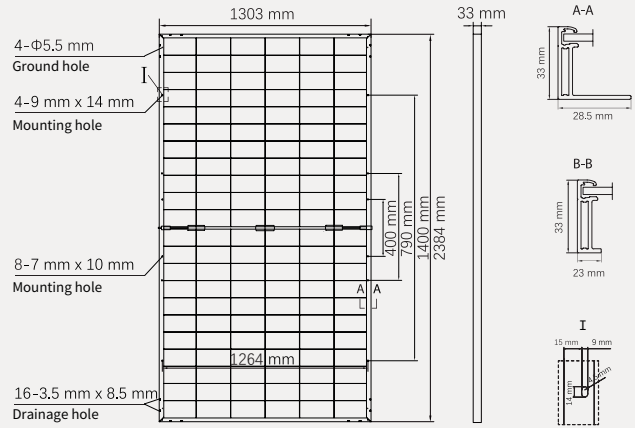
POWER SORTING

**23.5%**MAX MODULE  
EFFICIENCY**≤ 1.0%**FIRST YEAR  
POWER DEGRADATION**≤ 0.4%**YEAR 2-30  
POWER DEGRADATION

## Mechanical Specifications

Outer dimensions (L x W x H)	2384 x 1303 x 33 mm
Cell type	n-type mono-crystalline
No. of cells	132 (6*22)
Frame technology	Aluminum, silver anodized
Front / Back glass	2.0+2.0 mm
Cable length (Including connector)	Portrait: (+)350 mm, (-)280 mm; Customized length
Cable diameter (IEC/UL)	4 mm <sup>2</sup> / 12 AWG
① Maximum mechanical test load	5400 Pa (front) / 2400 Pa (back)
Connector type (IEC/UL)	HCB40 (Standard) / MC4-EVO2A (Optional)
Module weight	38 kg
Packing unit	33 pcs / box
Weight of packing unit (for 40'HQ container)	1295 kg
Modules per 40' HQ container	594 pcs (Subject to sales contract)

① Refer to Astronergy crystalline installation manual or contact technical department.  
Maximum Mechanical Test Load=1.5×Maximum Mechanical Design Load.



## Electrical Specifications

**STC:** Irradiance 1000W/m<sup>2</sup>, Cell Temperature 25° C, AM=1.5, Power measurement tolerance: ±3%

	705	710	715	720	725	730
Rated output (Pmpp / Wp)	705	710	715	720	725	730
Rated voltage (Vmpp / V)	40.31	40.48	40.65	40.81	40.98	41.24
Rated current (Impp / A)	17.49	17.54	17.59	17.64	17.69	17.70
Open circuit voltage (Voc / V)	48.57	48.77	48.97	49.17	49.37	49.57
Short circuit current (Isc / A)	18.43	18.48	18.53	18.58	18.63	18.67
Module efficiency	22.7%	22.9%	23.0%	23.2%	23.3%	23.5%

**BNPI:** Irradiance: front 1000W/m<sup>2</sup>, rear 135W/m<sup>2</sup>, Cell Temperature 25° C, AM=1.5

	775.5	781.0	786.5	792.0	797.5	803.0
Rated output (Pmpp / Wp)	775.5	781.0	786.5	792.0	797.5	803.0
Rated voltage (Vmpp / V)	40.32	40.48	40.65	40.82	40.98	41.25
Rated current (Impp / A)	19.23	19.29	19.35	19.40	19.46	19.47
Open circuit voltage (Voc / V)	48.57	48.77	48.97	49.17	49.37	49.57
Short circuit current (Isc / A)	20.39	20.45	20.50	20.56	20.62	20.67

## Temperature Ratings (STC)

Temperature coefficient (Pmpp)	-0.29%/°C
Temperature coefficient (Isc)	+0.043%/°C
Temperature coefficient (Voc)	-0.25%/°C

## Operating Parameters

Operating Temperature	-40°C ~+85°C
Bifaciality (Pmpp)	80±5%
Junction box IP rating	IP 68
Max. series fuse rating	35 A
Max. system voltage (IEC/UL)	1500V <sub>DC</sub>

## Curve

